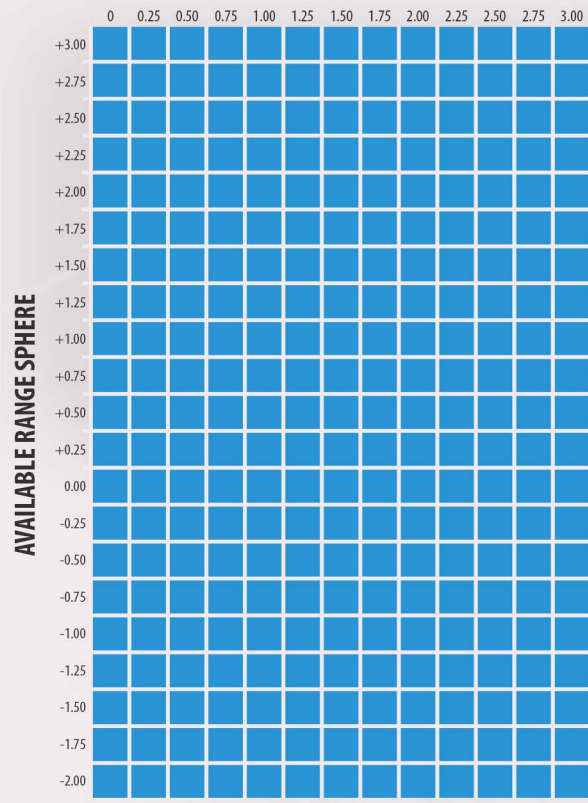


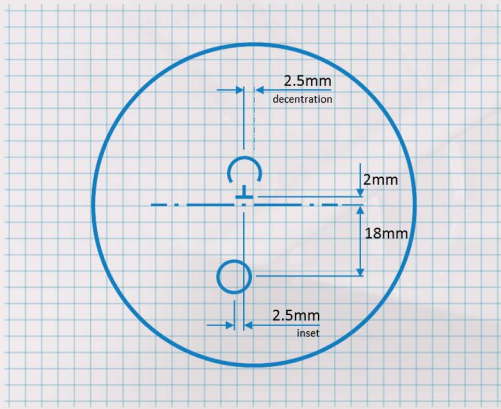
1.5 COMET FINISHED PROGRESSIVE SHORT CORRIDOR 75-14MM

FINISHED PROGRESSIVE

AVAILABLE RANGE ADD



AVAILABLE RANGE SPHERE



TECHNICAL INFORMATION

INDEX	LENS TYPE	ABBE VALUE	GRAVITY	UV LEVEL	DIAMETER	MATERIAL
1.499	PROGRESSIVE	59	1.31	360	75/14	PPG

COATING OPTIONS

UNCOATED	HARD COATED	HARD MULTI COATED
UC	HC	HMC

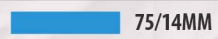
ANTI-REFLEX COLOR AVAILABILITY



LENS COLOR AVAILABILITY



RANGE KEY AVAILABILITY



SHORT CORRIDOR TECHNICAL DATA

- WIDTH OF FAR VISION ZONE (2MM ABOVE MRP)
- WIDTH OF FAR VISION ZONE (8MM ABOVE MRP)
- HEIGHT OF ISO-ASTIG.LINE ABOVE
- 0-180 LINE (17MM FROM MRP) TEMPORAL
- WIDTH OF READIN ZONE (14MM BELOW MRP)
- MAXIMUM ASTIGMATISM
- CORRIDOR WIDTH

In Dioptre Terms	In mm
0.5D	10.4mm
1.0D	Clear
0.5D	23.0m
1.0D	Clear
0.5D	6.8mm
0.5D	5.5mm
0.5D	8.3mm
1.0D	14.0mm
0.5D	-2.5
0.5D	4.6mm

SPECIFICATION CHART

SPH	CONCAVE	CONVEX	E.T(mm)	C.T(mm)
-0.25	4.50	4.25	2.20	1.90
-0.50	4.75	4.25	2.60	1.90
-0.75	5.00	4.25	3.00	1.90
-1.00	5.25	4.25	3.30	1.90
-1.25	3.75	2.50	3.40	1.70
-1.50	4.00	2.50	3.80	1.70
-1.75	4.25	2.50	4.10	1.70
-2.00	4.50	2.50	4.40	1.70
0.00	4.25	4.25	2.00	2.00
+0.25	4.00	4.25	2.00	2.30
+0.50	3.75	4.25	1.60	2.30
+0.75	3.50	4.25	1.60	2.60
+1.00	3.25	4.25	1.60	3.00
+1.25	3.00	4.25	1.60	3.30
+1.50	2.75	4.25	1.60	3.70
+1.75	2.50	4.25	1.60	4.00
+2.00	2.25	4.25	1.60	4.30
+2.25	2.00	4.25	1.60	4.70
+2.50	1.75	4.25	1.60	5.00
+2.75	1.50	4.25	1.60	5.40
+3.00	1.25	4.25	1.60	5.70

CROSSBOWS CONTOUR S

